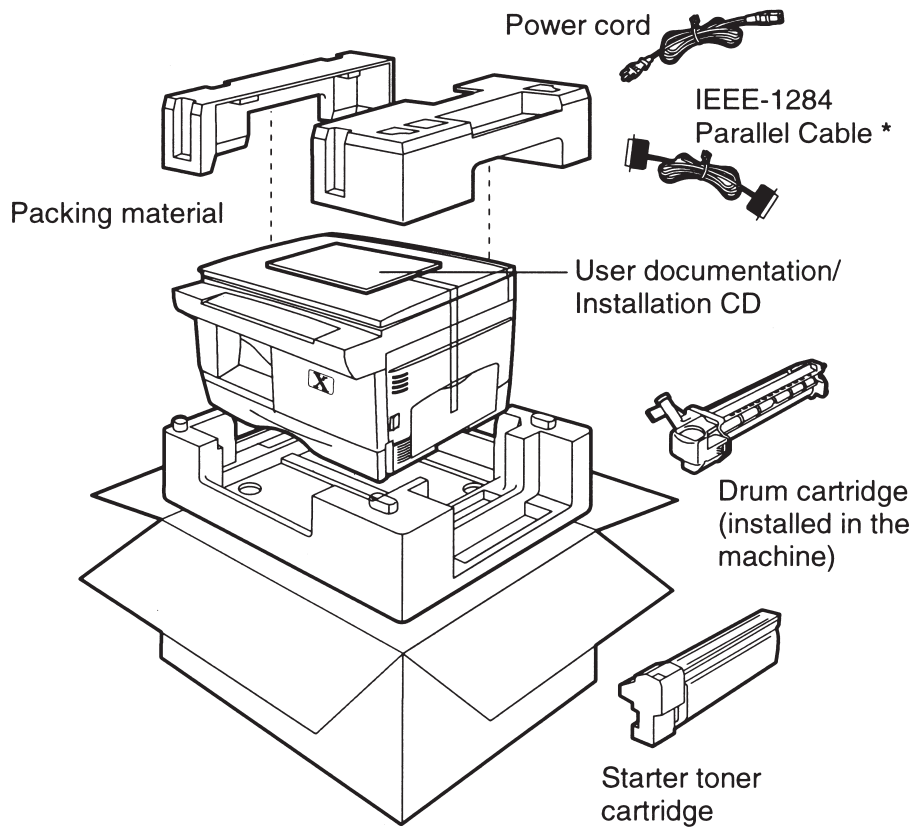


## Model Document: Exploded-View Drawing

### **Installation**

As you unpack the WorkCentre, familiarize yourself with its contents. After the WorkCentre is installed, and the Ready Indicator is lit, the WorkCentre is ready to make copies.

**IMPORTANT:** Save the carton and packing materials. They should be used to repack the WorkCentre if it has to be shipped for servicing or in case you move.



**\* Note:** To ensure reliability of the WorkCentre, use the IEEE-1284 compliant parallel cable that is supplied with the machine. Only cables labeled "IEEE-1284" can be used with your WorkCentre.